





SECTION 3.17_KSFF


FLAME ARRESTER DEFLAGRATION PROOF END-LINE

INTRODUCTION

 **The model KSFF** is designed, manufactured, tested according to API 2000 and ISO 16852. Installed in the end of nozzle of the several kinds of the flammable low pressure storage tank (the ignition point below 65 °C) with easy coupling, it is the explosion proof and deflagration proof which blocks the influx of flame ignited externally into the tank.

 **Body Materials** Stainless Steel with various trims (Different materials available on request)

 **Sizes range** DN 15 ~ DN 80 with Piping Nozzle
(Different connections available on request)

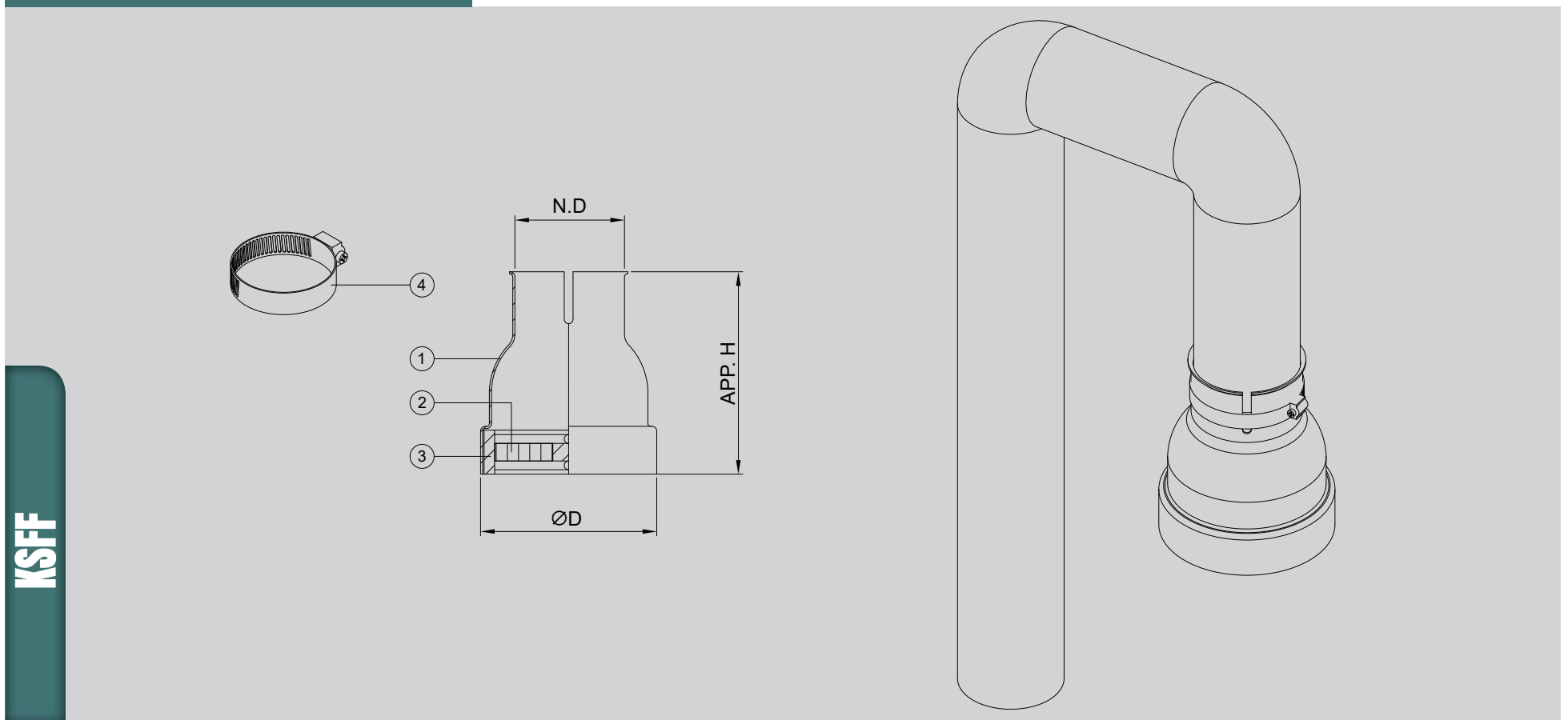
 **Rules & Certifications** API 2000 / ISO 16852
Flame cell : NEC group D (=IIA), group C(=IIB3) and group B(=IIC), ETC.

 **Optimum / optional Design & Arrangments** Steam jacket type

APPLICATION



OUTLINE DRAWING



KSFF

Section 3.17
KSFF

DIMENSION TABLE

NOTE Standard Connection(ASME 150Lb flange) and JIS or different types are available upon request.

SIZE	½" (15A)	¾" (20A)	1" (25A)	1½" (40A)	2" (50A)	3" (80A)
N.D	22	27	35	49	61	90
ØD	115	115	115	115	115	169
App. H	100	100	100	100	100	170

COMPONENT MATERIAL

NOTE Other materials are available upon request.

ITEM NO	COMPONENT	SS304	SS316L
1	BODY	SS304	SS316L
2	ELEMENT	SS316L	
3	ELEMENT HOUSING	SS304L	SS316L
4	BEND CLAMP	SS304	

MAINTENANCE

- ⚠ Periodic inspection and maintenance is required. The cell assembly can be removed for cleaning purposes.
- ⚠ Cleaning can be accomplished by dipping the entire cell assembly into an appropriate solvent.
- ⚠ Care should be taken not to damage the cell openings as such deformations hamper the flow through the cell.
- ⚠ The gaskets should be inspected and replaced if necessary.